

Tools and Other Useful Things

A few of the things that you really need to have... a little bit of this, a little bit of that.

CHAIN LUBE

CHNWAX Wax, Chain, Citrus \$6.50

CLEANERS



Manufactured to Glide specifications, here are the cleaners no club or servicer can afford to be without.

Super Kleen: It's like your favorite window cleaner on steroids! Super concentrate. Use at half strength on the worst grime imaginable. Dilute 80:1 for windows.

Vinyl Armor: Cleans, polishes, and protects vinyl and plastic with a hard, dust resistant, static-free coating. For performance and value, there's no comparison.

Rubber Brite: Designed specifically for rubber flooring in fitness clubs. Balanced pH formula promotes longer floor life - optical brighteners enhance the shiny appearance without being slick. No rinsing required. Very pleasant fragrance. The very best!

SPRKLN1010: \$18 VNLARM1010: \$28 RBBRT1010: \$18

COMM STONES

COMMCLNR Cleaner, Commutator Stone \$12.25
 COMMSTR Seater, Commutator Stone 5.25

MATS

MATBIKESTEP Mat, Rubber, Bikes and Steppers \$30.00
 MATTREADMILL Mat, Rubber, Treadmills 50.00

TOOLS OF THE TRADE

PLSF15277 Plastic Fusion (Remarkable for Fixing Any Broken Plastic) \$6.50
 TL002052 Puller, Crank 14.00
 TL002067 Wrench, Crank Headset, 32 & 36mm 25.00
 TL002075 Wrench, Crank Headset 32mm & Pedal 15mm 19.50
 TL123014 Wrench, Pedal, 15mm 18.25
 TL290407 Bottom Bracket Tool 9.50
 TL433106 Freewheel Tool 12.00
 SHROUDSAVER Metal Bracket Protector for Lifecycle Recumbent Bikes 24.95
 TLNGBRGTOOL Tool, Bearing, Next Gen Bikes 149.95

GLIDE FITNESS PRODUCTS, INC.
1-866-637-4600

Tools and Other Useful Things

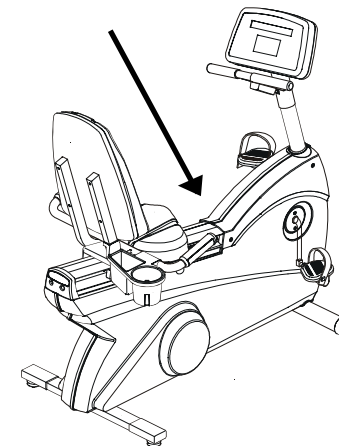
Look! Up where the shroud meets the seat extrusion! Is it a tool? Is it a part? No, it's our... Super Shroud Saver!!! This GLIDE exclusive is precision machined to fit your Lifecycle Dovetail and Next Gen Recumbent bikes like a glove using only the existing hardware. Use it now to prevent your clients from breaking the shroud. Shroud already broken? All you need is the SHROUDSAVER and two screws and you're covered (pun fully intended). Installs in minutes. Powder coated to a beautiful finish.

SHROUD SAVER

SHROUDSAVER Metal Bracket Protector for Lifecycle Dovetail & Next Gen Recumbent Bikes \$24.95



**DON'T BUY MORE SHROUDS...
 GET THE SHROUDSAVER!**



Removing and installing the bearings on Next Gen bikes is such a chore, (and it's so incredibly easy to damage the caged needles during the process) that even the factory created a special tool for the job. Once again, GLIDE goes the extra mile for our customers. Our Next Gen bearing tool gets the job done **TWICE AS FAST** for **HALF AS MUCH!** Engineered and manufactured at GLIDE, this is the professional way to get 'er done.

BEARING TOOL

TLNGBRGTOOL Tool, Bearing, Next Gen Bikes \$149.95



GLIDE FITNESS PRODUCTS, INC.
1-866-637-4600