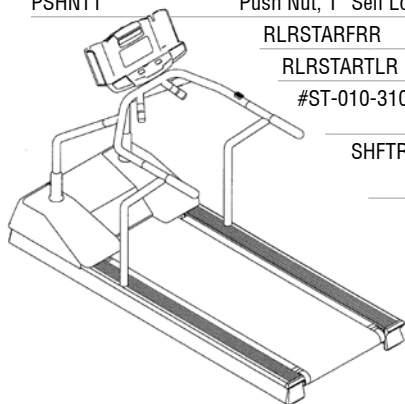


# Startrac 4000/4500 Treadmills

## MECHANICAL

|              |   |        |
|--------------|---|--------|
| BRG205MM     | Bearing, Head & Tail Roller   | \$6.65 |
| BLT285V10    | Belt, Drive, ST3900/4500 100v, ST4000 S/N up to 402690                      | 12.96  |
| BLT28V10     | Belt, Drive, ST4000 110v, S/N 402691 and up                                 | 12.87  |
| BLT29V10     | Belt, Drive, Startrac 3900/4000/4500, 220v                                  | 21.60  |
| RBT0285      | Belt, Running, Startrac, 2-Ply Monofilament                                 | 130.00 |
| RBT0285P     | Belt, Running, Startrac 2-Ply Monofilament, Pre-Treated                     | 160.00 |
| RBT0285SB    | Belt, Running, Startrac, Sand Blast Top, Cotton, Ultra Duty                 | 210.00 |
| RBT0285SBP   | Belt, Running, Startrac, Sand Blast Top, Cotton, Ultra Duty, Pre-Treated    | 240.00 |
| RBT0285U     | Belt, Running, Startrac, Ultra Duty (Polyurethane)                          | 185.00 |
| RBT0285UP    | Belt, Running, Startrac, Ultra Duty (Polyurethane), Pre-Treated             | 215.00 |
| #ST-708-0151 | Can, Elevation, Startrac Treadmills, AKA Elevation Bucket                   | 95.00  |
| RDK4500G     | Deck, Running, Startrac 3900, 4000, 4500 Treadmills                         | 125.00 |
| #ST-140-3111 | Fan, 9 Blade, Startrac Motor  | 5.00   |
| #ST-140-3200 | Leveler, Foot Rear, Startrac 4500 Treadmill                                 | 15.00  |
| LWX10100EM2  | Lubrication, The OEM Solution, 1 Gallon                                     | 60.00  |
| LWX10100EM2W | Lubrication, The OEM Solution, 1 Gallon w/ Dispensing Wand                  | 78.00  |
| PSHNT1       | Push Nut, 1" Self Locking Retaining Ring for 1" Shaft (Head & Tail Rollers) | 2.00   |
| RLRSTARFRR   | Roller, Front, Startrac, Refurbished, Exchange                              | 85.00  |
| RLRSTARTLR   | Roller, Tail, Startrac, Refurbished, Exchange                               | 85.00  |
| #ST-010-3106 | Rubber, Deck, Startrac Pro & 4500 Treadmills<br><i>4 Req'd Per Deck</i>     | 20.00  |
| SFHTRLRPRO   | Shaft, Head And Tail Roller,<br>Startrac, 39/40/45, Pro                     | 60.00  |



**STARTRAC 4500 TREADMILL**

## COSMETIC

|              |   |         |
|--------------|---|---------|
| #ST-800-0004 | End Cap Left, Finger Guard, Startrac Treadmills 3/4000 Dual Deck  | \$42.00 |
| #ST-800-0003 | End Cap Right, Finger Guard, Startrac Treadmills 3/4000 Dual Deck | 42.00   |
| #ST-020-4452 | End Cap, Left, Black Startrac 4000/4500                           | 12.00   |
| #ST-020-4453 | End Cap, Right, Black Startrac 4000/4500                          | 12.00   |
| #ST-020-4480 | End Cap Left, Gray, Startrac 4500 Treadmill                       | 12.00   |
| #ST-020-4481 | End Cap Right, Gray, Startrac 4500 Treadmill                      | 12.00   |
| #ST-020-4454 | Finger Guard, Deck Plate Left, Startrac 4500 Treadmill            | 15.00   |
| #ST-020-4627 | Finger Guard, Deck Plate Right, Startrac 4500 Treadmill           | 15.00   |
| #ST-020-4497 | Shroud, Motor Black, Startrac 39/40/45 S/N Sensitive on 4000      | 195.00  |

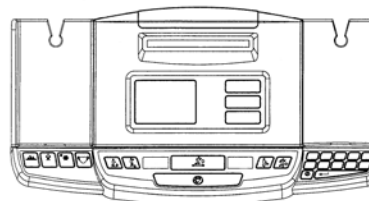
GLIDE FITNESS PRODUCTS, INC.

**1-866-637-4600**

# Startrac 4000/4500 Treadmills

## ELECTRICAL

|                   |   |          |
|-------------------|---|----------|
| #ST-440-0095      | Auto Transformer, Elevation Step Down, 110v, 220v Startrac Treadmills | \$145.00 |
| BRSHSTGB          | Brush, Motor, Startrac Gray and Black, 110v, 220v Motors              | 13.25    |
| BRSHSTSB          | Brush, Motor, Startrac Small Blue, 110v, 220v Motors                  | 14.75    |
| #ST-715-3301      | Cable, Display, Lower Data, Startrac 4500 Treadmill                   | 30.00    |
| #ST-715-3302      | Cable, Display, Upper Data, Startrac 4500 Treadmill                   | 35.00    |
| #ST-800-3932      | Combiner Board, HR, Startrac 4500, C/P to Display                     | 15.00    |
| DSP4000           | Display Electronics, Startrac 4000, New                               | 553.19   |
| DSP4000R          | Display Electronics, Startrac 4000, Refurbished, Exchange             | 150.00   |
| DSP4500R          | Display Electronics, Startrac 4500, Refurbished, Exchange             | 150.00   |
| #ST-800-3259      | Filter Network, 110v, Startrac 4500, New                              | 235.00   |
| FILTER110R        | Filter Network, 110v, Startrac 4500, Refurbished, Exchange            | 70.00    |
| #ST-800-3878      | Grip, Heart Rate, Startrac 4000/4500 and StarStep                     | 35.00    |
| #ST-140-2497      | Heart Rate Board for Startrac 4000/4500 Treads, UB, RB and StarStep   | 185.00   |
| MCB4500R          | MCB, Startrac 39/40/45, 110v, Refurbished, Exchange                   | 145.00   |
| MCB4500220        | MCB, Startrac 39/40/45, 220v, New                                     | 455.00   |
| MCB4500220R       | MCB, Startrac 39/40/45, 220v, Refurbished, Exchange                   | 145.00   |
| LMTR4500R         | Motor, Lift, Startrac 4000/4500, Refurbished, Exchange                | 135.00   |
| MOTSTAR25110VBKR  | Motor, Startrac, 2.5 HP, 110v, Black, Refurbished, Exchange           | 175.00   |
| MOTSTAR25110VG    | Motor, Startrac, 2.5 HP, 110v, Gray, New                              | 895.00   |
| MOTSTAR25110VGR   | Motor, Startrac, 2.5 HP, 110v, Gray, Refurbished, Exchange            | 175.00   |
| MOTSTAR25110VBLU  | Motor, Startrac, 2.5 HP, 110v, Blue, New                              | 895.00   |
| MOTSTAR25220VBKR  | Motor, Startrac, 2.5 HP, 220v, Black, Refurbished, Exchange           | 175.00   |
| MOTSTAR25220VBLUR | Motor, Startrac, 2.5 HP, 220v, Blue, Refurbished, Exchange            | 175.00   |
| MOTSTAR25220VGR   | Motor, Startrac, 2.5 HP, 220v, Gray, Refurbished, Exchange            | 175.00   |
| OVR4000           | Overlay, Startrac 4000 Treadmill                                      | 36.00    |
| OVR4500           | Overlay and KP Set (complete), Startrac 4500 (left, middle, right)    | 48.00    |
| #ST-800-3260      | Sensor, Cherry (RPM), w/Brackets, Startrac Motor                      | 65.00    |
| MSTREAD           | Switch, Micro, Startrac and Lifesride Treadmills                      | 4.50     |
| #ST-800-3881      | Switch, Stop, Startrac 4500 Treadmill, Serial# D04591 and Up          | 55.00    |
| #ST-470-0180      | Switch, On/Off, Breaker, 4 Pole, 220v, 18 amp Startrac Treadmills     | 70.00    |
| #ST-470-0190      | Switch, On/Off, Breaker, 2 Pole, 110v, 18 amp, Startrac Treadmills    | 45.00    |



**OVERLAY & KEYPAD SET  
COMPLETE  
(Left, Middle, Right)  
FOR STARTRAC 4500 TREAD**

**\$48<sup>00</sup>**

**P/N OVR4500**

GLIDE FITNESS PRODUCTS, INC.

**1-866-637-4600**