

# Precor EFX556 / Misc Versions

MECHANICAL		
#PRE-50538-102	Assy, Step Up Pulley, EFX546 V1,2, 556 V1, New	362.82
#PRE-50538-102ASSY	Assy, Step Up Pulley, EFX546 V1,2, 556 V1, Refurbished, Exchange	180.00
BJNT12	Ball Joint for Total Body Link Bar, EFX556i V2,3, EFX576i V1,2	8.95
BLT32V10	Belt, Drive, EFX546 V1,2, 556 V1	18.42
BLT34V16	Belt, Drive, EFX546 SP, Navy, 556 SP, Navy	25.20
BLT36V10	Belt, Drive, EFX546 V3, 556 V2	24.78
BLT36V16	Belt, Drive, EFX546i V1,2,3, 556i V1,2,3, 576i V1,2	29.24
BLT36V8	Belt, Drive, EFX546 V3, 556 V2	22.73
BLT44V6	Belt, Drive, EFX546 SP, Navy, 556 SP, Navy	17.94
BRG004RR	Bearing, EFX556 Drive Input Assy	6.20
BRGAS204	Bearing, Insert, EFX556 Drive Input Assembly	13.70
BRGKSP6	Bearing, EFX556 Cross Arm	50.00
CRKARM546G	Crank Arm, EFX556, from Billet Steel, Made in USA, Each	65.00
DRVINPT546R	Drive Input Assembly, EFX546 V1,V2, 556 V1, Refurbished, Exchange	250.00
DRVINPT556R	Drive Input Assembly, EFX546 V3, 556 V2, Refurbished, Exchange	250.00
#PRE-44916-102	Foot, Adjustable, EFX546 V1,2, Navy, 556 V1, 556i Navy	7.92
#PRE-38305-102	Foot, Frame, Molded, EFX546 V1,2,3, 556 SP, V1,2, 556i	8.68
#PRE-43702-504	Housing, Wheel, for Big Shaft Wheel Assy	27.50
#PRE-37314-108	Pedal, Foot, EFX546/556	\$51.60
PVTBLK	Pivot Block, Stair Arm, EFX556, Pivot Block Only	50.00
PVTBLKASSY	Pivot Block Assembly, EFX556, w/Bearings & Bushings	65.00
RMP556SS305	Ramp Covers, Curved Edge, 30.5" Stainless Steel, PAIR <i>S/N Sensitive</i>	78.00
RMP556SS315	Ramp Covers, Curved Edge, 31.5" Stainless Steel, PAIR <i>S/N Sensitive</i>	78.00
RMP556SS335	Ramp Covers, Curved Edge, 33.5" Stainless Steel, PAIR <i>S/N Sensitive</i>	78.00
WHL556	Wheel Assy, Large Axle, EFX546 Upgrade, 556 V1,2, SP, Each <i>Two Req'd</i>	58.00
WHL576	Wheel Assy, Single, EFX546i V2,3, 556i V2,3, 576i V1,2, Each <i>Four Req'd</i>	30.00

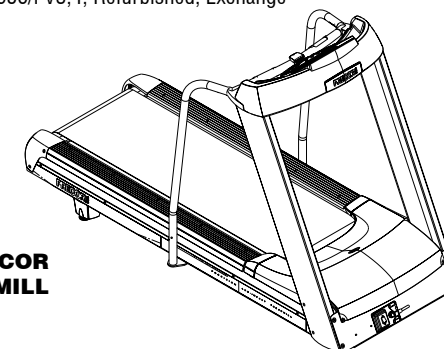
COSMETIC		
GRP120	Grip, Handlebar, Black Flex, 65", for 1.25" Tubing (Precor EFX544/546)	\$15.00

ELECTRICAL		
44905-036G	Cable, Display, Short ,EFX546 V2,3, 546i V1, 556 V1,2, SP, 556i V1	\$7.40
44905-108G	Cable, Display, Long , EFX546 V2,3, 556 V1,2	7.40
DSP576IR	Display Electronics, EFX576i,S/N AEWE,AGJE, Refurbished, Exchange	135.00
#PRE-39314-101	Electromagnet, EC Brake, EFX546 V1,2,3, 556 V1,2	139.04
MAGNET525	Magnet, Neo, EFX546 V1,2,3, 556 V1,2, Crank Arm Magnet	12.00
OVRKPBZL556iR	Overlay Keypad Bezel, Precor 556i, Refurbished, Exchange	145.00
#PRE-12167-102	Power Entry Module, EFX546 V2,3, 556 V1,2	46.20
#PRE-37301-103	Sensor, Remote, EFX546 V1,2, 556 V1	92.00

# Precor Treadmills

MECHANICAL		
BLT28V10	Belt, Drive, Precor 956 V1,2	\$12.87
BLT32V10	Belt, Drive, Precor 954, 956 V3,4, 954i, 956i, 966, 966i	18.42
RBT827	Belt, Running, Precor C942, C944 S/N 1U, 1V, 5J, 5K	150.00
RBT03275	Belt, Running, Precor (S/N Sensitive)	135.00
RBT038	Belt, Running, Precor, C962 through C964i (All)	150.00
RBT0529	Belt, Running, Precor (S/N Sensitive)	130.00
RDK03275G	Deck, Running, Precor (S/N Sensitive)	150.00
RDK038G	Deck, Running, Precor, C962 through C964i (All)	150.00
RDK0529G	Deck, Running, Precor, 956 (S/N Sensitive)	125.00
RDK944G	Deck, Running, Precor, C944	125.00
GEARKITPRE	Gear Kit, Precor Lift Motors	75.00
LWX10100EM2	Lubrication, The OEM Solution, 1 Gallon	60.00
LWX10100EM2W	Lubrication, The OEM Solution, 1 Gallon w/ Dispensing Wand	78.00
RDKSPRNG960	Spring, Deck, Precor 960 - 964i Treadmills (S/N Sensitive)	4.50

ELECTRICAL		
BRSHPRE944	Brush, Motor, Precor 944 (each)	\$14.25
BRSHPRE950	Brush, Motor, Precor 950 Series, Slant (each)	14.25
BRSHPRE960	Brush, Motor, Precor 960 Series (each)	13.25
MOTPRE2R	Motor, Blue, Out Rotor DC, 3.0HP 110/220v, Precor 954, 956/i V3,4, Refurbished, Exchange	215.00



**PRECOR  
C966 TREADMILL**

***"Once again I cannot thank you enough for your WONDERFUL company. It's been an absolute pleasure to work with you. Your staff is the best in the business, and I really appreciate all of the time that they invest in educating me! I truly look forward to a long happy working relationship with Glide Fitness. You are certainly my first call whenever I need parts, repairs and advice!"***

Wendy Alkinburgh, ABSOLUTE FITNESS SOLUTIONS, Lancaster, Pennsylvania