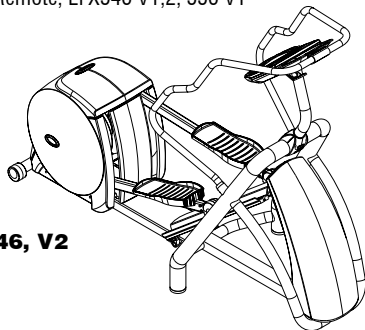


# Precor EFX546 / Version 2

## Serial Code 75, 9A, 9B, 9K, AP

MECHANICAL		
#PRE-38928-102	Assy, Pivot Block/Bearing, Ramp, Left, EFX546 V1,2	\$48.08
#PRE-38928-103	Assy, Pivot Block/Bearing, Ramp, Right, EFX546 V1,2	48.08
#PRE-50538-102	Assy, Step Up Pulley, EFX546 V1,2, 556 V1, New	362.82
#PRE-50538-102ASSY	Assy, Step Up Pulley, EFX546 V1,2, 556 V1, Refurbished, Exchange	180.00
BLT32V10	Belt, Drive, EFX546 V1,2, 556 V1	18.42
BRG004RR	Bearing, EFX546 Drive Input Assy	6.20
BRGAS204	Bearing, Insert, EFX546 Drive Input Assembly	13.70
CRKARM546G	Crank Arm, EFX546, from Billet Steel, Made in USA	65.00
DRVINPT546R	Drive Input Assembly, EFX546 V1,V2, 556 V1, Refurbished, Exchange	250.00
#PRE-44916-102	Foot, Adjustable, EFX546 V1,2, Navy, 556 V1, 556i Navy	7.92
#PRE-38305-102	Foot, Frame, Molded, EFX546 V1,2,3, 556 SP, V1,2, 556i	8.68
#PRE-43702-504	Housing, Wheel, for Big Shaft Wheel Assy	27.50
#PRE-37314-108	Pedal, Foot, EFX546/556	51.60
PVTBLK	Pivot Block, Stair Arm, EFX546, Pivot Block Only	50.00
PVTBLKASSY	Pivot Block Assembly, EFX546, w/Bearings & Bushings	65.00
RMP546SS	Ramp Covers, Straight Edge, Stainless Steel, EFX546 V1,2, PAIR	64.00
WHLASSY54676	Wheel Assembly, 76mm OD, Small Shaft, EFX546, Each <i>Two Req'd</i>	38.00
COSMETIC		
GRP120	Grip, Handlebar, Black Flex, 65", for 1.25" Tubing (Precor EFX544/546)	\$15.00
ELECTRICAL		
44905-036G	Cable, Display, Short, EFX546 V2,3, 546i V1, 556 V1,2, SP, 556i V1	\$7.40
44905-108G	Cable, Display, Long, EFX546 V2,3, 556 V1,2	7.40
DSP546V2R	Display Electronics, EFX546 V2, Refurbished, Exchange	135.00
#PRE-39314-101	Electromagnet, EC Brake, EFX546 V1,2,3, 556 V1,2	139.04
MAGNET525	Magnet, Neo, EFX546 V1,2,3, 556 V1,2, Crank Arm Magnet	12.00
LMTR546R	Motor, Lift, EFX546 V1,2, Refurbished, Exchange	135.00
#PRE-12167-102	Power Entry Module, EFX546 V2,3, 556 V1,2	46.20
#PRE-37301-103	Sensor, Remote, EFX546 V1,2, 556 V1	92.00

EFX546, V2



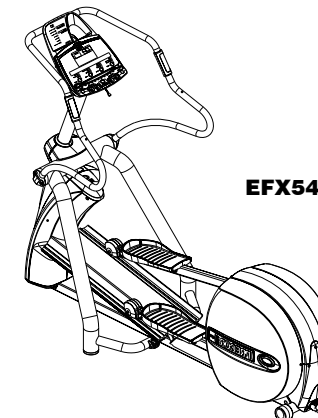
GLIDE FITNESS PRODUCTS, INC.  
1-866-637-4600

# Precor EFX546 / Version 3

## Serial Code DC, EX, GT

MECHANICAL		
BRG004RR	Bearing, EFX546 Drive Input Assy	\$6.20
BRGAS204	Bearing, Insert, EFX546 Drive Input Assembly	13.70
BLT36V8	Belt, Drive, EFX546 V3, 556 V2	22.73
BLT36V10	Belt, Drive, EFX546 V3, 556 V2	24.78
CRKARM546G	Crank Arm, EFX546, from Billet Steel, Made in USA, Each	65.00
DRVINPT556R	Drive Input Assembly, EFX546 V3, 556 V2, Refurbished, Exchange	250.00
#PRE-44916-102	Foot, Adjustable, EFX546 V1,2, Navy, 556 V1, 556i Navy	7.92
#PRE-38305-102	Foot, Frame, Molded, EFX546 V1,2,3, 556 SP, V1,2, 556i	8.68
#PRE-43702-504	Housing, Wheel, for Big Shaft Wheel Assy	27.50
#PRE-37314-108	Pedal, Foot, EFX546/556	51.60
PVTBLK	Pivot Block, Stair Arm, EFX546, Pivot Block Only	50.00
PVTBLKASSY	Pivot Block Assembly, EFX546, w/Bearings & Bushings	65.00
RMP556SS335	Ramp Covers, Curved Edge, 33.5" Stainless Steel, PAIR	78.00
WHLASSY54676	Wheel Assembly, 76mm OD, Small Shaft, EFX546, Each <i>Two Req'd</i>	38.00
WHL556	Wheel Assy, Large Axle, EFX546 Upgrade, 556 V1,2, SP, Each <i>Two Req'd</i>	58.00
COSMETIC		
GRP120	Grip, Handlebar, Black Flex, 65", for 1.25" Tubing (Precor EFX544/546)	\$15.00
ELECTRICAL		
44905-036G	Cable, Display, Short, EFX546 V2,3, 546i V1, 556 V1,2, SP, 556i V1	\$7.40
44905-108G	Cable, Display, Long, EFX546 V2,3, 556 V1,2	7.40
#PRE-39314-101	Electromagnet, EC Brake, EFX546 V1,2,3, 556 V1,2	139.04
MAGNET525	Magnet, Neo, EFX546 V1,2,3, 556 V1,2, Crank Arm Magnet	12.00
#PRE-12167-102	Power Entry Module, EFX546 V2,3, 556 V1,2	46.20
#PRE-44652-047	Sensor, Hall Eff, Precor EFX 546 V3, 556 V2	80.40

EFX546, V3



GLIDE FITNESS PRODUCTS, INC.  
1-866-637-4600